

# TO-WORK EXECUTIVE CHAIR

Technical Data Sheet





# TO-WORK EXECUTIVE CHAIR

Designer: Z Design Team

To-Work makes a difference in workspaces with its ergonomic structure and modern design. With various color alternatives, To-Work adapts to the workspace, offering a dynamic option for both managers and employees.

## DESCRIPTION

---

### STAR BASE

The star base is made of durable, impact and scratch-resistant hard plastic material. The 5-point star base is available in white or black color options.

### MECHANISM

The chair features a double-arm synchro mechanism with 3 reclining positions that can be locked. The height is adjustable, and the tension can be adjusted.

Gas Lift: The mechanism is connected to the base with a conical coupling system, allowing it to be locked at the desired height. The gas lift is imported and classified as class 4.

### SEAT

The seat is manufactured using plastic injection molding, and the polyurethane molded foam is placed on the plastic seat cover. The depth of the seat is adjustable, offering a functional seating experience. It is upholstered with fabric. The seat frame comes in white or black color options.

### BACKREST

The backrest is made from plastic injection molding, with a plastic frame. It is upholstered with mesh fabric. An ergonomic lumbar support, made from foam and plastic material, provides added support for the lower back. The backrest is available in white or black color options.

### HEADREST

The headrest is made using plastic injection molding and is height-adjustable for ergonomic use. It is upholstered with mesh fabric.

### ARMRESTS

The armrests are height-adjustable via a button and are capable of forward, backward, left, and right movement. The armrests are made of durable plastic material and have polyurethane pads for comfort. The armrests are impact and scratch-resistant.

### ACCESSORIES

Wheels: The chair is equipped with 60 mm diameter swivel wheels made from durable plastic material.

### USAGE AREA

The To-Work Executive Chair is designed for use in executive offices, workplaces, and other professional environments.

### DESIGNER / COLLECTION

The To-Work product group was designed by Z Design Team for the 2024/2025 collection.

### MATERIAL CATALOG

Zivella's material catalog, including wood, metal, fabric, and synthetic leather, can be accessed via the QR code below.

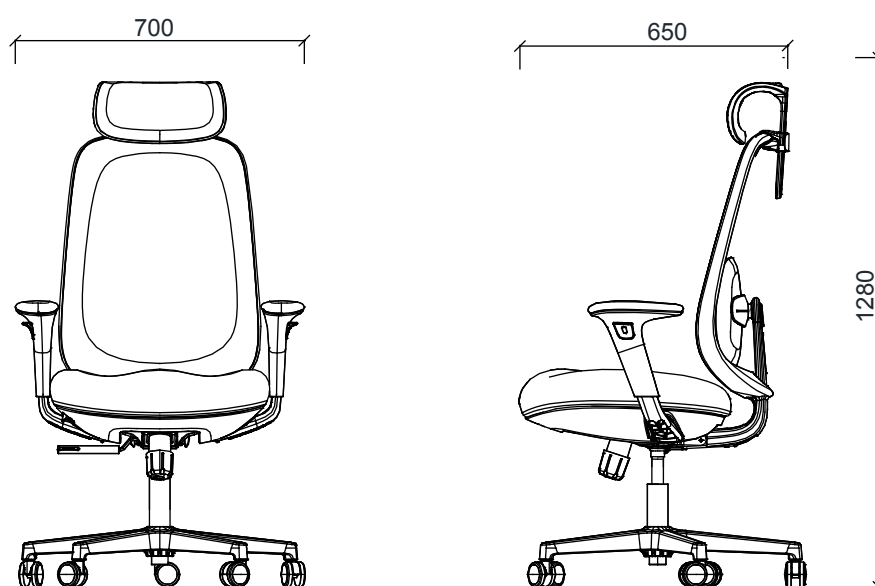


Material Catalog



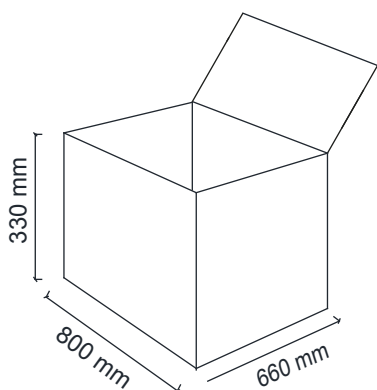
## TO-WORK EXECUTIVE CHAIR

### DIMENSIONS



BRK61010 - TO-WORK EXECUTIVE BLACK  
BRK61210 - TO-WORK EXECUTIVE WHITE

### Box Dimensions:



Unit of measurement: Millimeters