

VERS CHAIR

Technical Data Sheet





VERS CHAIR

Designer: Z Design Team

Vers offers innovative solutions for dynamic office environments with various base options.

DESCRIPTION

METAL BASE

The metal base is made from Q17 mm diameter, 2 mm thick DKP pipe, manufactured using CNC bending technology. The metal base is electrostatically powder-coated for durability.

SEAT AND BACKREST

The seat is made from a plastic injection-molded frame, with molded polyurethane foam manufactured in special molds. The seat is upholstered with fabric.

The backrest is also made using plastic injection molding, with a plastic frame and upholstered with mesh fabric for added comfort and breathability.

ACCESSORIES

Foot Caps: The foot caps are made from hard plastic material and fit onto the Q17 mm diameter pipe, providing stability and protection to the floor.

USAGE AREA

The Vers Chair is designed for use in offices, work areas, meeting rooms, and similar spaces.

DESIGNER / COLLECTION

The Vers product group was designed by Z Design Team for the 2024/2025 collection.

MATERIAL CATALOG

Zivella's material catalog, including wood, metal, fabric, and synthetic leather, can be accessed via the QR code below.



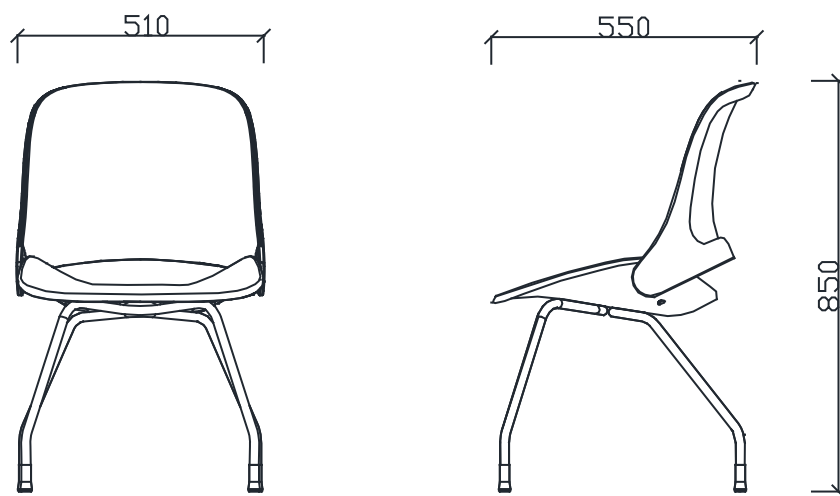
Material Catalog





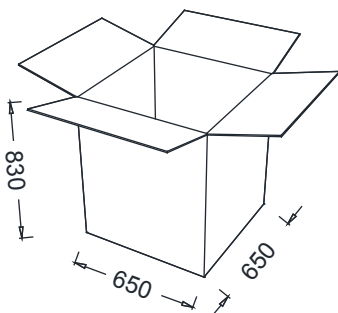
VERS CHAIR

DIMENSIONS



BRK58020 - VERS CHAIR (Static Powder Coating)

Box Dimensions



Unit of measurement: Millimeters